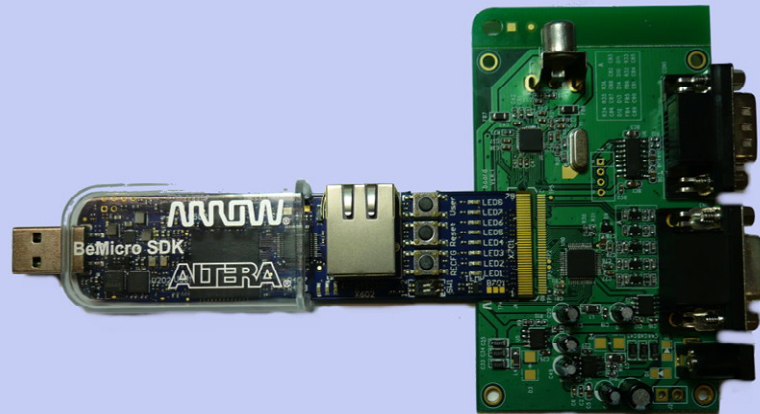


Video Processing Design Make Easy >>

The BeInVideo Kit
A Complete Video Processing Total Solution.



Quickly Implement a Video Design

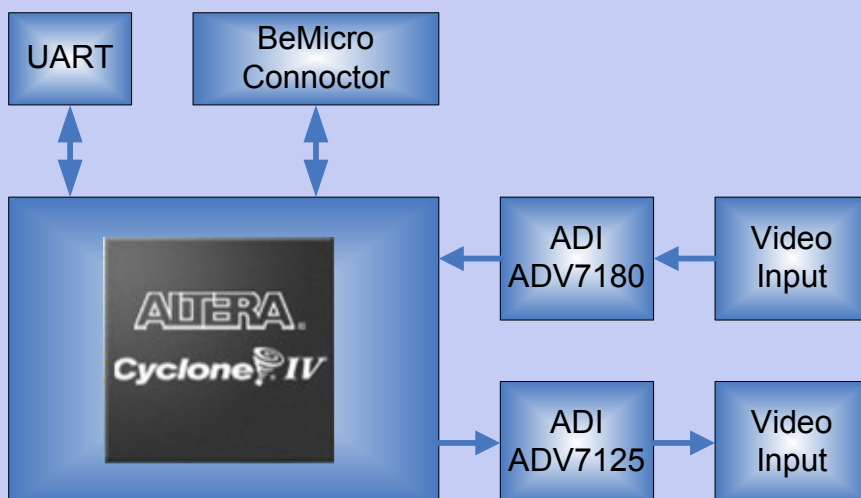
Discover how easy it is to build a flexible and scalable video system in a single FPGA with BeInVideo—our BeMicro SDK-Based Video Processing kit. Arrow Taiwan provides you the powerful and convenient video processing kit for you to develop video or image processing.

The BeInVideo Kit

Experience the how easy to design video processing

Arrow Taiwan created the BeInVideo kit to highlight the ease of developing a video-based design within a single FPGA device. By combining strengths of key technology partners such as Altera® and Analog Device, the BeInVideo kit offers a cost-effective yet versatile platform to implement image processing.

Complete Video Processing Solution from Arrow



Features:

- Quickly implement a video system
- Work with easy-to-use, familiar embedded tools
- Experience the benefits of its Altera Cyclone IV FPGA
- VGA output interface (ADV7125)
- video input interface (ADV7180)
- UART interface

Applications:

- Color space conversion
- Surveillance application
- BT-656 implementation
- Digital video processing

ALL
@BeInVideo

